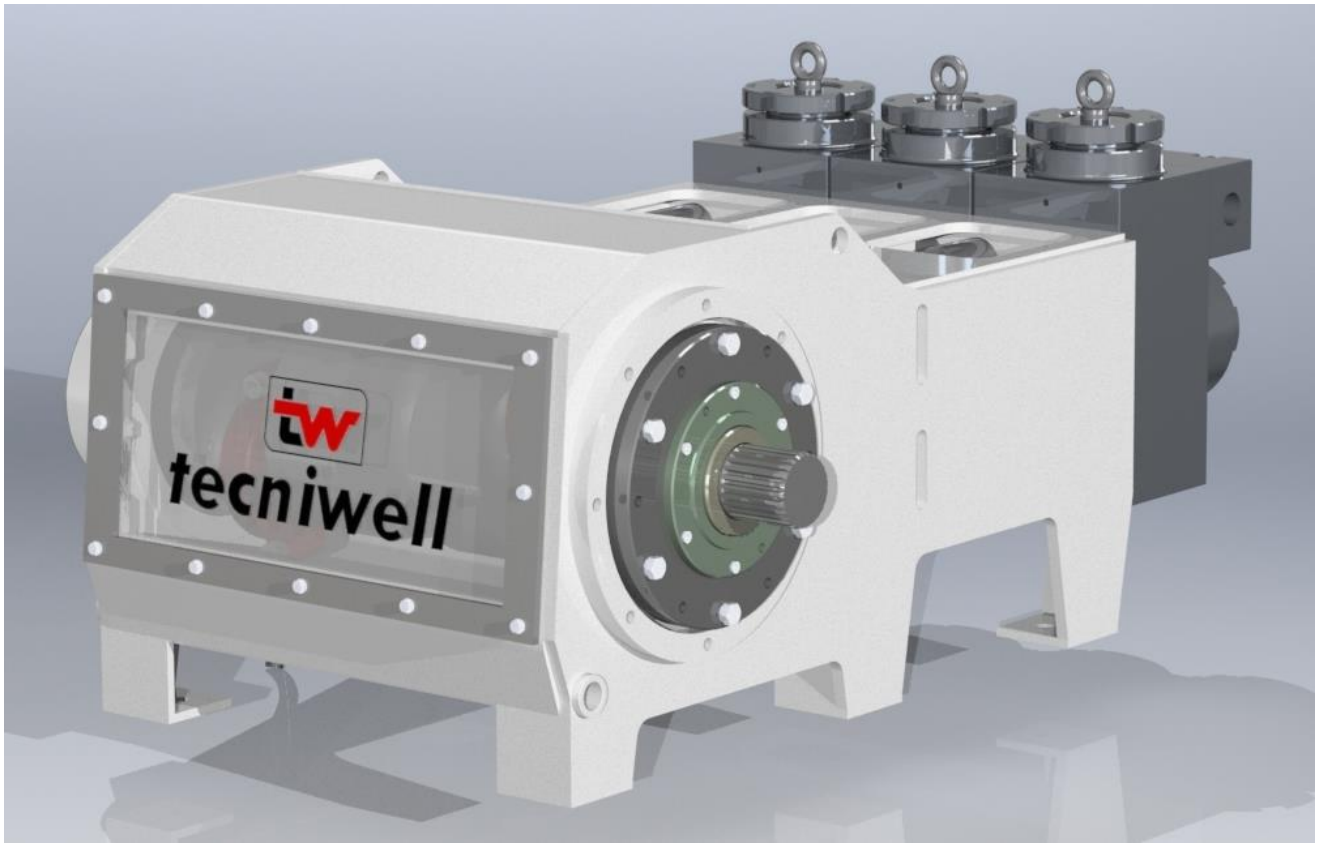




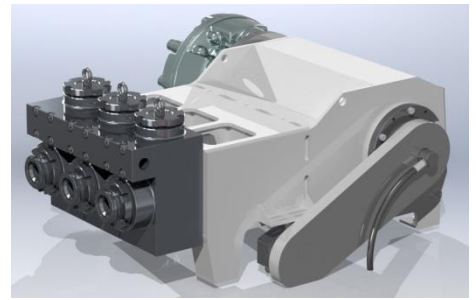
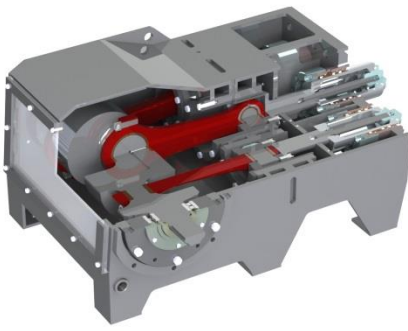
# tecniwell

JET-GROUTING, GROUTING AND DRILLING EQUIPMENT



## TW 150

*HIGH FLOW TRIPLEX PUMP*



## Technical Features

<b>Max power input / puissance max / maximale Kraft</b>	<b>147 kW</b>	<b>200 HP</b>	
<b>Max pressure / pression maximale / maximaler Druck</b>	<b>17 MPa</b>	<b>170 bar</b>	<b>2465 psi</b>
<b>Max flow rate / débit maximale / maximale Durchflussrate</b>	<b>1500 lt/min</b>	<b>396 gpm</b>	
<b>Piston diameter / diamètre du piston / Kolbendurchmesser</b>	From 3"1/2 (88,9 mm) to 4"1/2 (114,3 mm)		
<b>Stroke / Course / Hubweg</b>	4,5" – 114,3 mm		
<b>Maximum stroke rate / coup par minute / max Hub pro Minute</b>	426 / min	426 spm	
<b>Suction diameter / diamètre d'aspiration / Saugdurchmesser</b>	5"	127 mm	
<b>Output diameter / diamètre de sortie / Ausgangsdurchmesser</b>	3"1/2	88,9 mm	

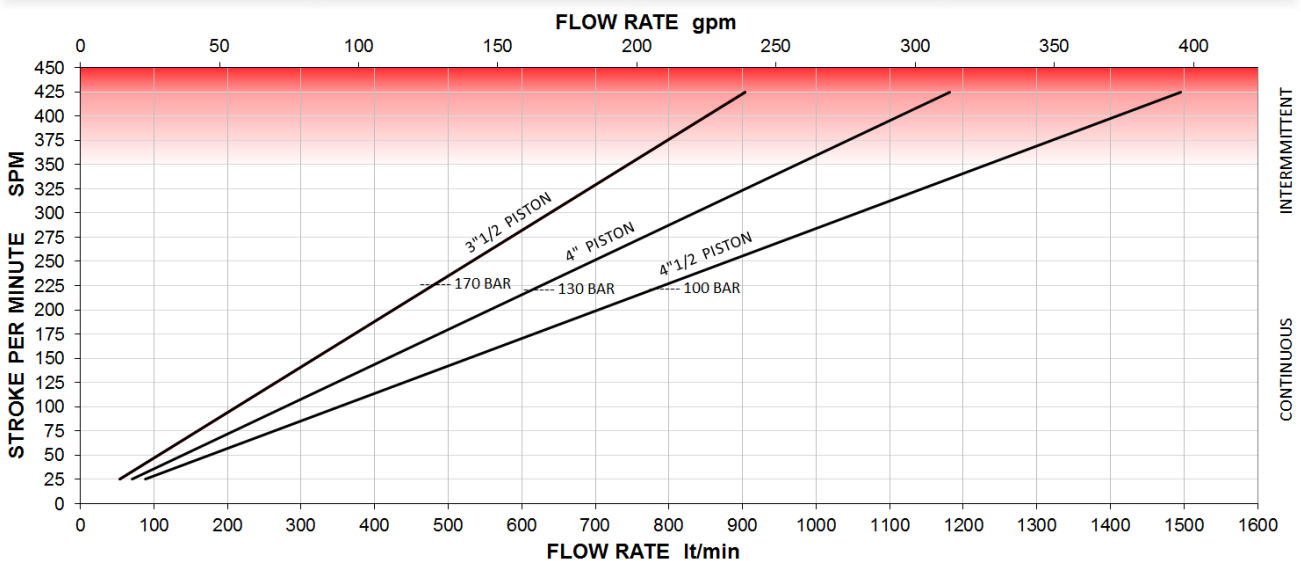
7" Control panel lcd monitor

### Bareshaft dimensions and weight

Width 991 mm - 3'3"	Height 590 mm - 1'11"	Lenght 1375 mm - 4'6"	Weight 1300 Kg - 2866 lb
---------------------	-----------------------	-----------------------	--------------------------

### Frame dimensions and weight

Width 2400 mm - 7'10"	Lenght 4600 mm - 15'1"	Height 2200 mm - 7'2"	Weight 6500 Kg - 14330 lb
-----------------------	------------------------	-----------------------	---------------------------



JET-GROUTING, GROUTING AND DRILLING EQUIPMENT

Via 1° Maggio, 61 – 29027 Podenzano (PC) – Italy – Tel. + 39 0523 524086  
e-mail: [info@tecniwell.com](mailto:info@tecniwell.com) – [www.tecniwell.it](http://www.tecniwell.it)

All technical data are purely indicative and subject to change without notice