



# tecniwell

JET-GROUTING, GROUTING AND DRILLING EQUIPMENT

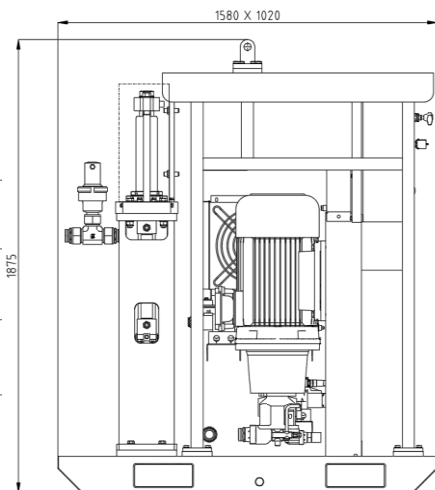


## GP22V

VERTICAL GROUT PUMP

## Overall dimensions and weight

Width	1020 mm	3'4"
Length	1580 mm	5'2"
Height	1875 mm	6'2"
Weight	1100 Kg	2425 lb



## TECHNICAL FEATURES

**Double effect piston / piston à double effet / Doppelleffekt Kolben**

**Max flow rate / débit maximale / maximale Durchflussrate**

150 lt/min

40 gpm

**Max pressure rate / pression maximale / maximal Druckrate**

100 bar

10 MPa

1450 PSI

**Piston diameter / diamètre du piston / Kolbendurchmesser**

5"

127 mm

**Stroke / course / Hubweg**

12'

304 mm

**Max stroke rate / coup par minute / max Hub pro Minute**

42 / min

42 spm

**Electric motor / moteur électrique / Elektromotor**

22 kW

**Suction diameter / diamètre d'aspiration / Saugdurchmesser**

3"

76,2 mm

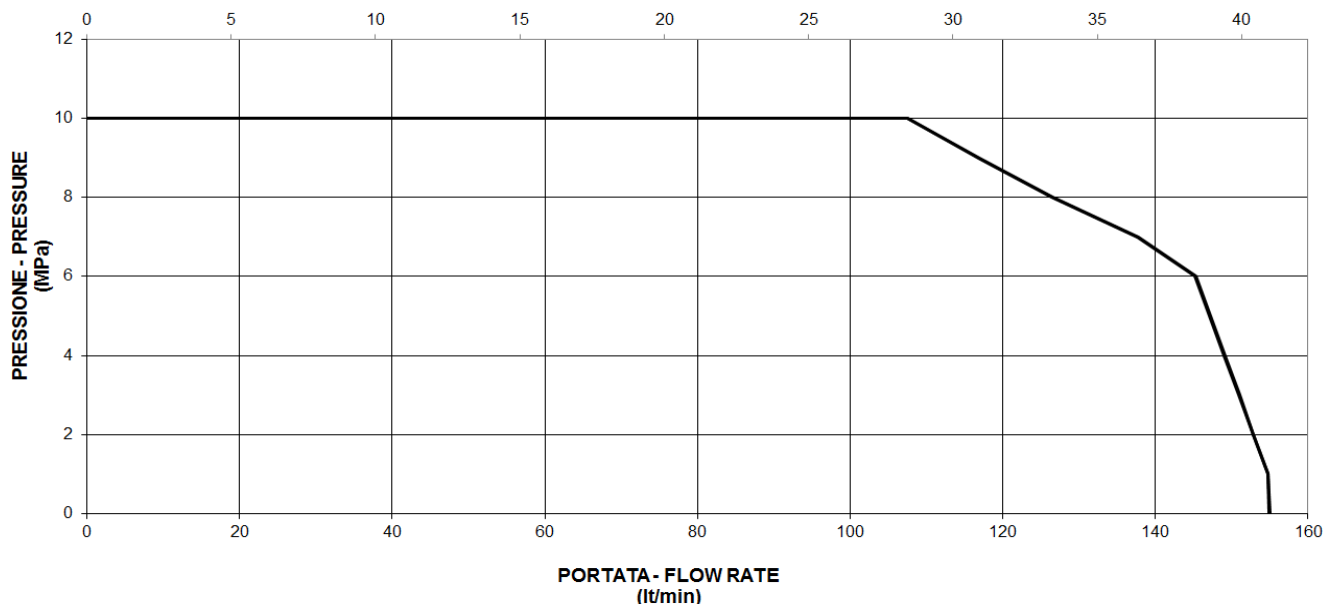
**Output diameter / diamètre de sortie / Ausgangsdurchmesser**

1"1/2

38,1 mm

DIAGRAMMA PORTATA - PRESSIONE  
PRESSURE-FLOW RATE DIAGRAM

PORTATA - FLOW RATE  
(gpm)



**tw tecniwell**

JET-GROUTING, GROUTING AND DRILLING EQUIPMENT

Via 1° Maggio, 61 – 29027 Podenzano (PC) – Italy – Tel. + 39 0523 524086  
e-mail: [info@tecniwell.com](mailto:info@tecniwell.com) – [www.tecniwell.it](http://www.tecniwell.it)

All technical data are purely indicative and subject to change without notice